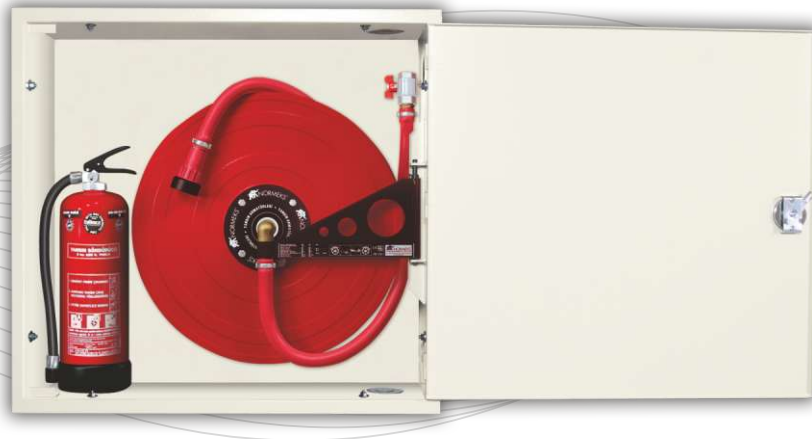


Recessed Fire Hose Cabinet With Equipment Compartment

GT12



NORMEKS® model GT12 is suitable for recessed mounting and has a compartment for a portable fire extinguisher. The reel is secured on a 180° hanged support and mounted on the right hand side of the cabinet.

Model GT12 has the following characteristics

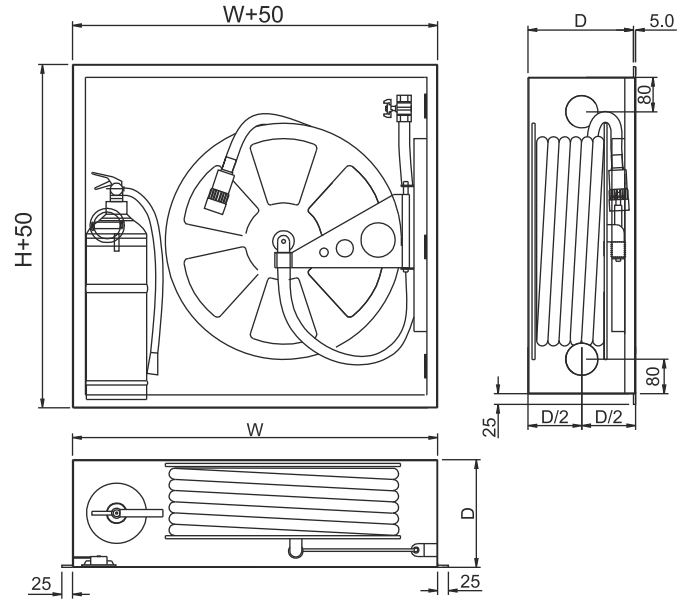
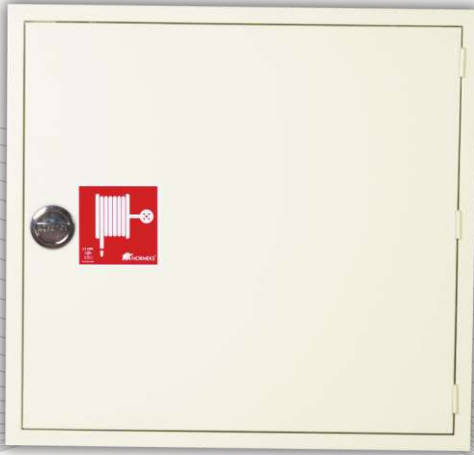
- Water supply is through the center of the reel.
- Hose reel is 70 micron RAL 3001 red electrostatically powder painted.
- Fire hose cabinet is RAL 9002 grey white or RAL 3001 red, 70 micron RAL 3001 red electrostatically powder painted.
- NORMEKS jet / spray / shut-off nozzle is manufactured in accordance with pr.EN671-1.
- Semi-rigid rubber hose is manufactured in accordance with pr.EN694 Standard.
- 1" ball valve.
- 3 positioned stainless brass reel core with sealing.
- Adjustable frame and double bended cabinet door made of 1.5 mm DKP steel.
- Cabinet can be turned 180°.
- Cabinet inside box is made of 1.2 mm DKP Steel.
- Frames, doors and inner box are 70 micron RAL 3001 red electrostatically powder painted.
- Two of 75 mm knockouts for pipework connection is included.
- NORMEKS door lock is made of double-colored ABS or circular chrome.
- Adjustable frame allows the cabinet to be mounted before completion of civil works and frame.
- Can be fixed after the details such as rendering and painting are over.
- Sign in compliance with the 92/58/EEC is located on the cabinet door.
- Reel can swing through 180°, which allows pulling the reel in any direction.
- User and installation manual.

Portable extinguishers are shown as an accessory



GT12

Recessed Fire Hose Cabinet With Equipment Compartment

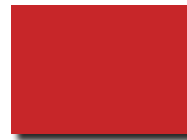


Service and maintenance of the fire hose cabinets should be performed according to service and maintenance standard pr. EN 671-3 and NORMEKS maintenance instructions. Please contact with NORMEKS for a service and maintenance contract.

- Our products are manufactured in compliance with TS. EN 671-1.
- Manufacturer shall retain the right to make changes in the production standards and material without notice.
- Standard production has doors made of steel; plexiglas or hardened glass options are available upon request.
- Knockouts for pipework connection are on the right side of standard manufacturing. If it is required to be on the left side, please specify in your order.

Model	Hose		Dimension W x H x D	Order No
	Diameter (mm)	Lenght (m)		
GT12	25	20	800x750x245	GT12-20
GT12	25	20	800x750x195	GT12-20-20
GT12	25	30	800x750x245	GT12-30

Our Standard production color is RAL 3001, please specify separately for RAL 9002.



RAL 3001



RAL 9002

NORM
TEKNİK
Fire Protection Systems

NORM TEKNİK MALZEME TİC.İNŞ.SAN.LTD.ŞTİ.

Eyüp Sultan Mah. Ulubatlı Hasan Cad. Başkent Sok. No:6
34885 Samandıra-Sancaktepe / İSTANBUL
Tel: +90 216 311 40 41 pbx Faks: +90 216 311 90 91

www.normteknik.com.tr norm@normteknik.com.tr
www.normeks.com.tr info@normeks.com.tr

 **NORMEKS**, is a registered trademark of **NORM TEKNİK LTD.ŞTİ.**