

Recessed Fire Hose Cabinet With Equipment Compartment

G22-YT



NORMEKS® model G22-YT is suitable for recessed mounting and it has a horizontal compartment for portable fire extinguishers. The reel is secured on a 180° hanged support and mounted on the right hand side of the cabinet. This model's valve-hose connection is based on DIN 14461 standard.

Model G22-YT has the following characteristics

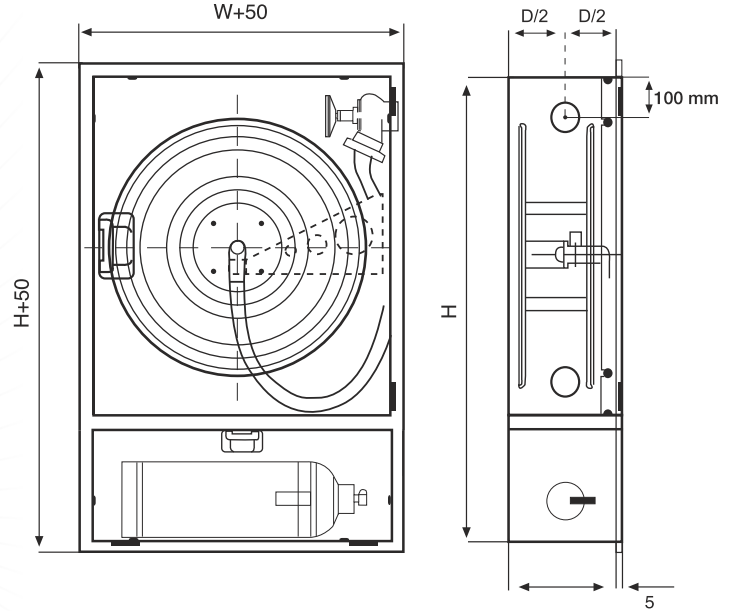
- Water supply is through the center of the reel.
- Hose reel is 70 micron RAL 3001 red electrostatically powder painted.
- Fire hose cabinet is RAL 9002 grey white or RAL 3001 red, 70 micron RAL 3001 red electrostatically powder painted.
- NORMEKS jet / spray / shut-off nozzle is manufactured in accordance with pr.EN671-1.
- Semi-rigid rubber hose is manufactured in accordance with pr.EN694 Standard.
- NORMEKS special supply hose.
- 2" ball valve and special valve mounting adaptor.(reduction with 2"-1" storz coupling)
- 3 positioned stainless brass reel core with sealing.
- Adjustable frame and double bended cabinet door made of 1.5 mmDKP steel.
- Cabinet door is hinged at the right hand side. (Left hand side available upon request.)
- Cabinet inside box is made of 1.2 mm DKP Steel.
- Two of 75 mm knockouts for pipework connection is included.
- NORMEKS door lock is made of double-colored ABS or circular chrome.
- Adjustable frame allows the cabinet to be mounted before completion of civil works and frame.
- Can be fixed after the details such as rendering and painting are over.
- Sign in compliance with the 92/58/EEC is located on the cabinet door.
- Reel can swing through 180°, which allows pulling the reel in any direction.
- User and installation manual.

Portable extinguishers are shown as an accessory



G22-YT

Recessed Fire Hose Cabinet With Equipment Compartment



Service and maintenance of the fire hose cabinets should be performed according to service and maintenance standard pr. EN 671-3 and NORMEKS maintenance instructions. Please contact with NORMEKS for a service and maintenance contract.

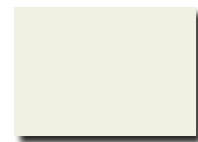
- Our products are manufactured in compliance with TS. EN 671-1.
- Manufacturers shall retain the right to make changes in the production standards and material without notice.
- Standard production has doors made of steel; plexiglas or hardened glass options are available upon request.
- Knockouts for pipework connection are on the right side of standard manufacturing. If it is required to be on the left side, please specify in your order.

Model	Hose		Dimension W x H x D	Order No
	Diameter (mm)	Lenght (m)		
G22-YT	25	20	700x1000x245	G22-YT-20
G22-YT	25	20	700x1000x195	G22-YT-20-20
G22-YT	25	30	700x1000x245	G22-YT-30

Our Standard production color is RAL 3001, please specify separately for RAL 9002.



RAL 3001



RAL 9002

NORM
TEKNIK
Fire Protection Systems

NORM TEKNIK MALZEME TİC.İNŞ.SAN.LTD.ŞTİ.

Eyüp Sultan Mah. Ulubatlı Hasan Cad. Başkent Sok. No:6
34885 Samandıra-Sancaktepe / İSTANBUL
Tel: +90 216 311 40 41 pbx Faks: +90 216 311 90 91

www.normteknik.com.tr norm@normteknik.com.tr
www.normeks.com.tr info@normeks.com.tr

 **NORMEKS**, is a registered trademark of **NORM TEKNIK LTD.ŞTİ.**