

Surface Fire Hose Cabinet

S1



NORMEKS® model S1 is suitable for surface mounting. The reel is secured on a 180° hanged support and mounted on the right hand side of the cabinet.

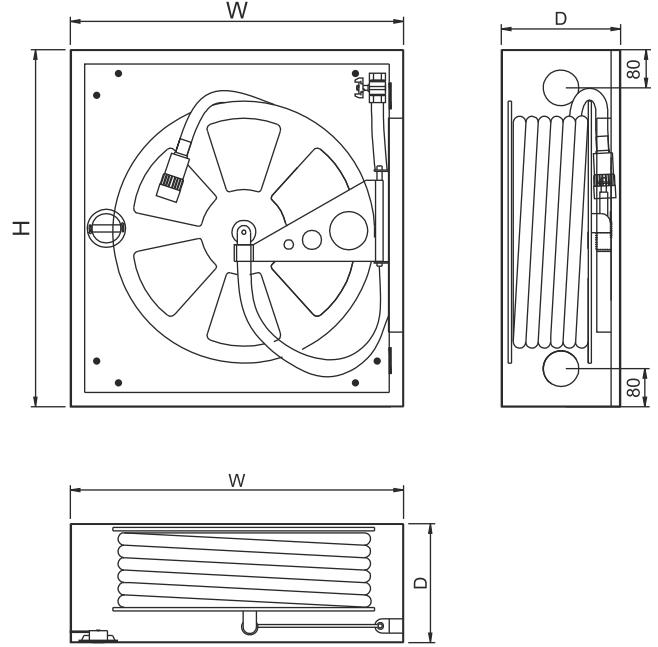
Model S1 has the following characteristics

- Water supply is through the center of the reel.
- Hose reel is 70 micron RAL 3001 red electrostatically powder painted.
- Fire hose cabinet is RAL 9002 grey white or RAL 3001 red, 70 micron RAL 3001 red electrostatically powder painted.
- NORMEKS jet / spray / shut-off nozzle is manufactured in accordance with pr.EN671-1.
- Semi-rigid rubber hose is manufactured in accordance with pr.EN694 Standard.
- 1" ball valve.
- 3 positioned stainless brass reel core with sealing.
- Adjustable frame and double bended cabinet door made of 1.5 mmDKP steel.
- Cabinet door is hinged at the right hand side (Left hand side available upon request.)
- Cabinet can be turned 180°.
- Cabinet back mounting plate is made of 1.2 mm DKP Steel.
- Two of 75 mm knockouts for pipework connection is included.
- NORMEKS door lock is made of double-colored ABS or circular chrome.
- For the back mounting plate carried dismantled, cabinet can be mounted after the completion of construction work such as rendering and painting.
- Sign in compliance with the 92/58/EEC is located on the cabinet door.
- Reel can swing through 180°, which allows pulling the reel in any direction.
- User and installation manual.



S1

Surface Fire Hose Cabinet

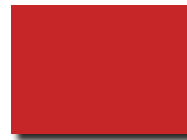


Service and maintenance of the fire hose cabinets should be performed according to service and maintenance standard pr. EN 671-3 and NORMEKS maintenance instructions. Please contact with NORMEKS for a service and maintenance contract.

- Our products are manufactured in compliance with TS. EN 671-1.
- Manufacturer shall retain the right to make changes in the production standards and material without notice.
- Standard production has doors made of steel; plexiglas or hardened glass options are available upon request.
- Knockouts for pipework connection are on the right side of standard manufacturing. If it is required to be on the left side, please specify in your order.

Model	Hose		Dimension W x H x D	Order No
	Diameter (mm)	Lenght (m)		
S1	25	20	700x750x250	S1-20
S1	25	20	700x750x200	S1-20-20
S1	25	30	700x750x250	S1-30

Our Standard production color is RAL 3001,
please specify separately for RAL 9002.



RAL 3001



RAL 9002

NORM
TEKNİK
Fire Protection Systems

NORM TEKNİK MALZEME TİC.İNŞ.SAN.LTD.ŞTİ.

Eyüp Sultan Mah. Ulubatlı Hasan Cad. Başkent Sok. No:6

34885 Samandıra-Sancaktepe / İSTANBUL

Tel: +90 216 311 40 41 pbx Faks: +90 216 311 90 91

www.normteknik.com.tr norm@normteknik.com.tr

www.normeks.com.tr info@normeks.com.tr

 **NORMEKS**, is a registered trademark of **NORM TEKNİK LTD.ŞTİ.**