

# Surface Fire Hose Cabinet With Equipment Compartment

# ST22-YT



**NORMEKS® model ST22-YT is suitable for surface mounting. The reel is secured on a 180° hanged support and mounted on the right hand side of the cabinet. This model's valve-hose connection is based on DIN 14461 standard.**

## Model ST22-YT has the following characteristics

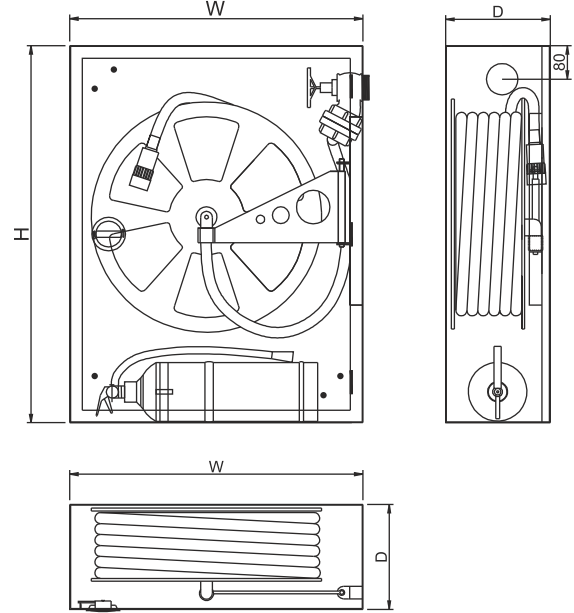
- Water supply is through the center of the reel.
- Hose reel is 70 micron RAL 3001 red electrostatically powder painted.
- Fire hose cabinet is RAL 9002 grey white or RAL 3001 red, 70 micron RAL 3001 red electrostatically powder painted.
- NORMEKS jet / spray / shut-off nozzle is manufactured in accordance with pr.EN671-1.
- Semi-rigid rubber hose is manufactured in accordance with pr.EN694 Standard.
- 2" ball valve and special valve mounting adaptor.(reduction with 2"-1" storz coupling )
- 3 positioned stainless brass reel core with sealing.
- Adjustable frame and double bended cabinet door made of 1.5 mmDKP steel.
- Cabinet door is hinged at the right hand side. (Left hand side available upon request.)
- Cabinet can be turned 180°.
- Cabinet back mounting plate is made of 1.2 mm DKP Steel.
- Two of 75 mm knockouts for pipework connection is included.
- NORMEKS door lock is made of double-colored ABS or circular chrome.
- For the back mounting plate carried dismantled, cabinet can be mounted after the completion of construction work such as rendering and painting.
- Sign in compliance with the 92/58/EEC is located on the cabinet door.
- Reel can swing through 180°, which allows pulling the reel in any direction.
- User and installation manual.

Portable extinguishers are shown as an accessory



# ST22-YT

## Surface Fire Hose Cabinet With Equipment Compartment

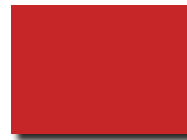


**Service and maintenance of the fire hose cabinets should be performed according to service and maintenance standard pr. EN 671-3 and NORMEKS maintenance instructions. Please contact with NORMEKS for a service and maintenance contract.**

- Our products are manufactured in compliance with TS. EN 671-1.
- Manufacturer shall retain the right to make changes in the production standards and material without notice.
- Standard production has doors made of steel; plexiglas or hardened glass options are available upon request.
- Knockouts for pipework connection are on the right side of standard manufacturing. If it is required to be on the left side, please specify in your order.

Model	Hose		Dimension W x H x D	Order No
	Diameter (mm)	Lenght (m)		
ST22-YT	25	20	700x900x250	ST22-YT-20
ST22-YT	25	20	700x900x200	ST22-YT-20-20
ST22-YT	25	30	700x900x250	ST22-YT-30

Our Standard production color is RAL 3001, please specify separately for RAL 9002.



RAL 3001



RAL 9002

**NORM**  
TEKNİK  
Fire Protection Systems

**NORM TEKNİK MALZEME TİC.İNŞ.SAN.LTD.ŞTİ.**

Eyüp Sultan Mah. Ulubatlı Hasan Cad. Başkent Sok. No:6  
34885 Samandıra-Sancaktepe / İSTANBUL  
Tel: +90 216 311 40 41 pbx Faks: +90 216 311 90 91

[www.normteknik.com.tr](http://www.normteknik.com.tr) [norm@normteknik.com.tr](mailto:norm@normteknik.com.tr)  
[www.normeks.com.tr](http://www.normeks.com.tr) [info@normeks.com.tr](mailto:info@normeks.com.tr)

 **NORMEKS**, is a registered trademark of **NORM TEKNİK LTD.ŞTİ.**