

# Surface Fire Hose Cabinet With Foam Mixer

# KYD-B2



**NORMEKS® model KYD-B2 is suitable for surface mounting. The reel is secured on a 180° hanged support and mounted on the right hand side of the cabinet.**

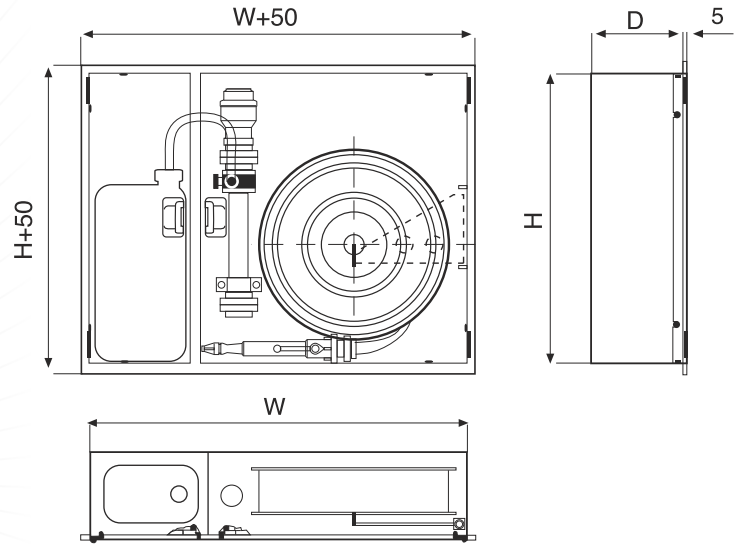
## Model KYD-B2 has the following characteristics

- Adjustable frame and double bended cabinet door made of 1.5 mm DKP steel.
- Cabinet inside box is made of 1.2 mm DKP Steel.
- Hose reel is 70 micron RAL 3001 red electrostatically powder painted.
- Fire hose cabinet is RAL 9002 grey white or RAL 3001 red, 70 micron RAL 3001 red electrostatically powder painted.
- 30 -60 lt. AFFF foam
- To DIN 14384, 1% to 6% adjustable, 200 lt /min capacity, 2 "foam proportioner (AWG).
- Ø19 mm foam suction hose.
- 2" controlled lans.
- 2" full bore ball valve.
- 2"-20 m of flat hose (TS 9222).
- Semi-rigid rubber hose is manufactured in accordance with pr.EN694 Standard.
- NORMEKS door lock is made of double-colored ABS or circular chrome.
- Sign in compliance with the 92/58/EEC is located on the cabinet door.
- Reel can swing through 180°, which allows pulling the reel in any direction.
- Sleeve couplings of the hose are connected by clamps or wiring.
- User and installation manual.



# KYD-B2

## Surface Fire Hose Cabinet With Foam Mixer

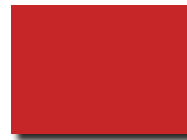


**Service and maintenance of the fire hose cabinets should be performed according to service and maintenance standard pr. EN 671-3 and NORMEKS maintenance instructions. Please contact with NORMEKS for a service and maintenance contract.**

- Our products are manufactured in compliance with TS. EN 671-2.
- Manufacturer shall retain the right to make changes in the production standards and material without notice.
- Standard production has doors made of steel; plexiglas or hardened glass options are available upon request.

Model	Hose		Dimension W x H x D	Capacity (l)	Order No
	Diameter (mm)	Lenght (m)			
KYD-B2	2"	20	110x90x35	30	KYD-B2-20-30
KYD-B2	2"	20	110x90x35	60	KYD-B2-20-60

Our Standard production color is RAL 3001, please specify separately for RAL 9002.



RAL 3001



RAL 9002



Eyüp Sultan Mah. Ulubatlı Hasan Cad. Başkent Sok. No: 6  
34885 Samandıra - Sancaktepe / İSTANBUL / TURKEY  
Tel: +90 216 311 40 41 pbx Fax: +90 216 311 90 91

[www.normeks.com.tr](http://www.normeks.com.tr) [info@normeks.com.tr](mailto:info@normeks.com.tr)

© Normeks Yangın Armatürleri Sanayi ve Ticaret A.Ş. All Rights Reserved.