

Recessed Fire Hose Cabinet With Equipment Compartment

AVM



NORMEKS model AVM is formed by two vertical compartments. Thanks to its unique railed system, both reel and extinguisher can go back and forth easily.

Model AVM has the following characteristics

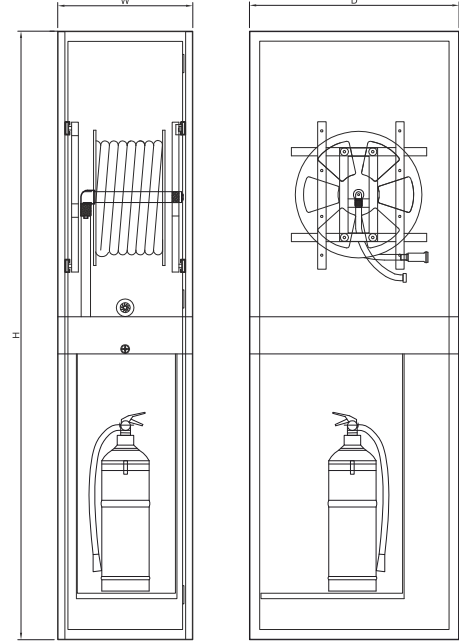
- Water supply is through the center of the reel.
- Hose reel is 70 micron RAL 3001 red electrostatically powder painted.
- Fire hose cabinet is RAL 9002 grey white or RAL 3001 red, 70 micron RAL 3001 red electrostatically powder painted.
- Semi-rigid rubber hose is manufactured in accordance with EN694 Standard.
- 1" ball valve
- 3 positioned stainless brass reel core with sealing.
- Adjustable frame and double bended cabinet door made of 1.5 mmDKP steel.
- Cabinet door is right hand hinged. (Left hand hinged available upon request.)
- "In compliance with 92/58/EEC" sign located on the cabinet door.
- Operating and installation manual.

Aluminum framed glass door is optional



AVM

Recessed Fire Hose Cabinet With Equipment Compartment



Service and maintenance of the fire hose cabinets should be performed according to EN 671-3, service and maintenance standard and NORMEKS maintenance instructions. Please contact with NORMEKS for a service and maintenance contract.

- Our products are manufactured in compliance with TS. EN 671-1.
- Manufacturer shall retain the right to make changes in the production standards and material without notice.
- Standard production door is made of steel; aluminum framed glass available upon request.
- Knockouts for pipework connection are on the right side of standard manufacturing.

Model	Hose		Dimension W x H x D	Order No
	Diameter (mm)	Length (m)		
AVM	25	20	480x1600x620	AVM-20
AVM	25	30	480x1600x620	AVM-30

Our Standard production color is RAL 3001, please specify separately for RAL 9002.



RAL 3001



RAL 9002

NORM
TEKNIK
Fire Protection Systems

NORM TEKNİK MALZEME TİC.İNŞ.SAN.LTD.ŞTİ.

Eyüp Sultan Mah. Ulubatlı Hasan Cad. Başkent Sok. No:6
34885 Samandıra-Sancaktepe / İSTANBUL
Tel: +90 216 311 40 41 pbx Faks: +90 216 311 90 91

www.normteknik.com.tr norm@normteknik.com.tr
www.normeks.com.tr info@normeks.com.tr

 **NORMEKS**, is a registered trademark of NORM TEKNİK LTD.ŞTİ.