

Surface Fire Hose Cabinet With Equipment Compartment

ST22-YT-DK



NORMEKS® model ST22-YT-DK is suitable for surface mounting and has a compartment for portable fire extinguisher. The reel is secured on a 180° hanged support and mounted on the right hand side of the cabinet. This model's valve-hose connection is based on DIN 14461 standard.

Model ST22-YT-DK has the following characteristics:

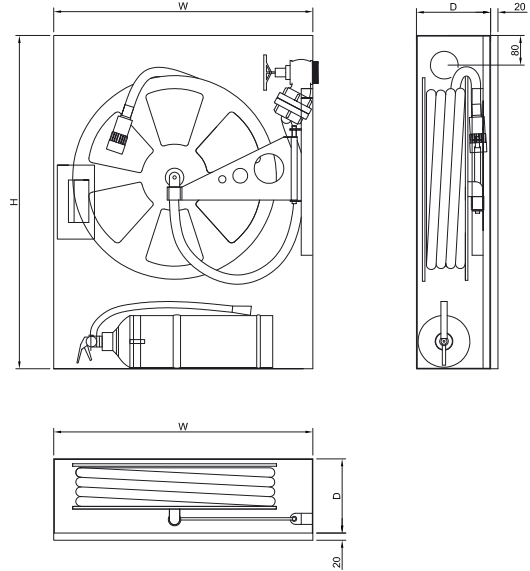
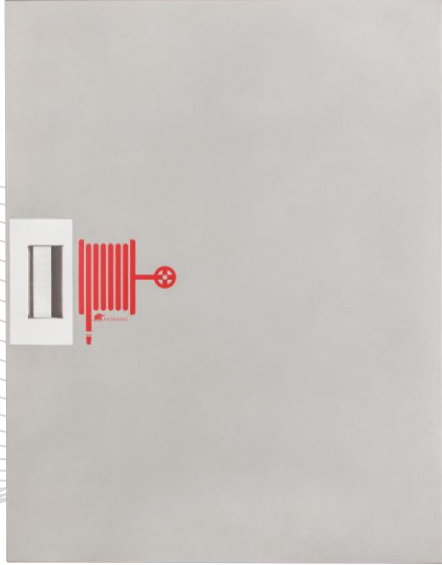
- Water supply is through the center of the reel.
- Hose reel is 70 micron RAL 3001 red electrostatically powder painted.
- Fire hose cabinet is RAL 9002 grey white or RAL 3001 red, 70 micron RAL 3001 red electrostatically powder painted.
- NORMEKS jet / spray / shut-off nozzle is manufactured in accordance with pr.EN671-1.
- Semi-rigid rubber hose is manufactured in accordance with pr.EN694 Standard.
- 2" ball valve and special valve mounting adaptor.(reduction with 2"-1" storz coupling)
- 3 positioned stainless brass reel core with sealing.
- Cabinet is completed with chromium nickel plated concealed hinge. (Left or right side hinged as per order.)
- Stainless steel made recessed handle.
- One of 75 mm knockouts for pipework connection is included.
- Sign in compliance with the 92/58/EEC is located on the cabinet door.
- Reel can swing through 180°, which allows pulling the reel in any direction.

Portable extinguishers are shown as an accessory



ST22-YT-DK

Surface Fire Hose Cabinet With Equipment Compartment



Service and maintenance of the fire hose cabinets should be performed according to service and maintenance standard pr. EN 671-3 and NORMEKS maintenance instructions. Please contact with NORMEKS for a service and maintenance contract.

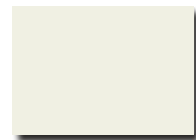
- Our products are manufactured in compliance with TS. EN 671-1.
- Manufacturer shall retain the right to make changes in the production standards and material without notice.
- Knockouts for pipework connection are on the right side of standard manufacturing. If it is required to be on the left side, please specify in your order.

Model	Hose		Dimension W x H x D	Order No
	Diameter (mm)	Length (m)		
ST22-YT-DK	25	20	700x900x200	ST22-YT-DK-20
ST22-YT-DK	25	20	700x900x200	ST22-YT-DK-20-20
ST22-YT-DK	25	30	700x900x250	ST22-YT-DK-30

Our Standard production color is RAL 3001, please specify separately for RAL 9002.



RAL 3001



RAL 9002



NORM TEKNİK MALZEME TİC.İNŞ.SAN.LTD.ŞTİ.

Eyüp Sultan Mah. Ulubatlı Hasan Cad. Başkent Sok. No: 6
34885 Samandıra - Sancaktepe / İSTANBUL
Tel: +90 216 311 40 41 pbx Fax: +90 216 311 90 91

www.normteknik.com.tr norm@normteknik.com.tr
www.normeks.com.tr info@normeks.com.tr

 **NORMEKS**, is a registered trademark of **NORM TEKNİK LTD.ŞTİ.**